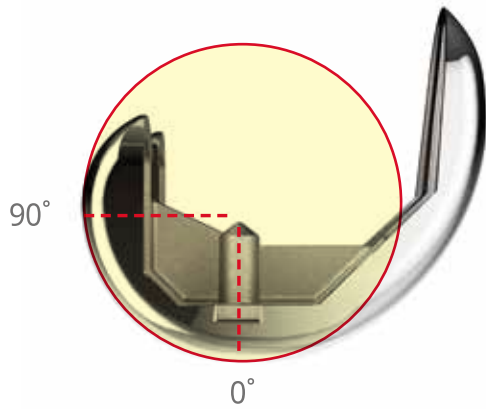


# EXULT

KNEE REPLACEMENT SYSTEM

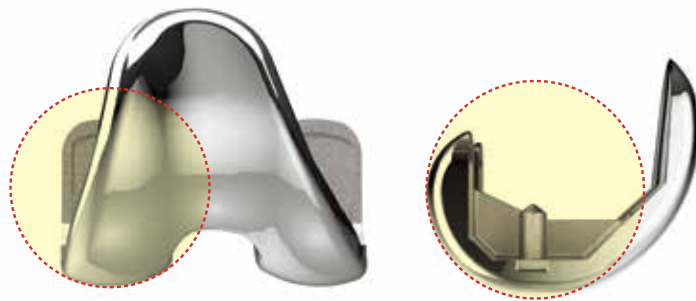


# Femoral Component



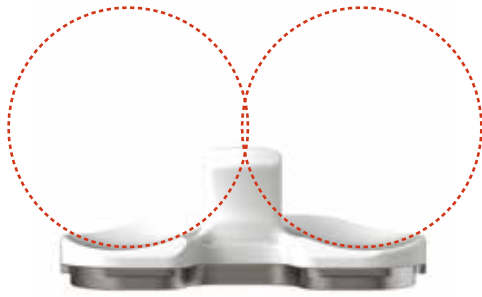
◀ Single axis design for articular stability with flexion and improving range of motion.

Lateralized anterior trochlea groove for optimal patella tracking. ▶



▶ Spherical articular surface for reducing contact stress and improving stability.

# Tibial Insert



Curved on Curved

- High conformity at the frontal plane to improve contact area.



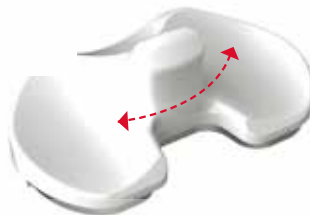
- Multi radius in the sagittal plane for improved anterior stability and deep flexion.



- 1mm tibial insert increments from 9 to 14mm  
2mm increments up to 24mm.

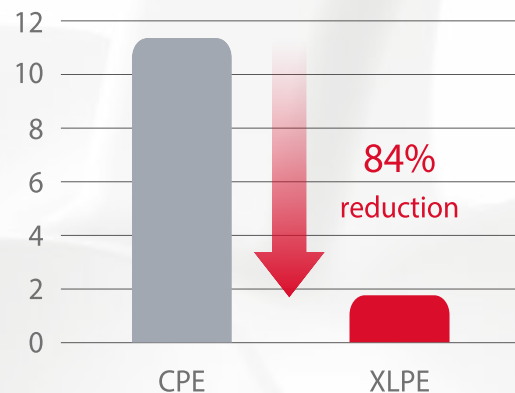


Rotation



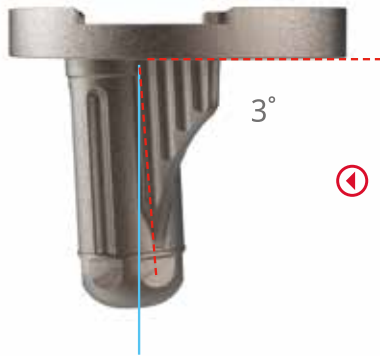
- Rounded tibial post to reduce edge loading on the post.

Exult highly cross-linked poly (XLPE) showed 84% wear rate reduction compared to conventional PE\*



\*data on file at Corentec

# Tibial Baseplate & Patellar Component



⌚ Stem with built in 3° posterior slope to reduce anterior cortex impingement.



CR



PR



Stem plug



30mm



60mm



90mm

⌚ Stem options available for additional stability.

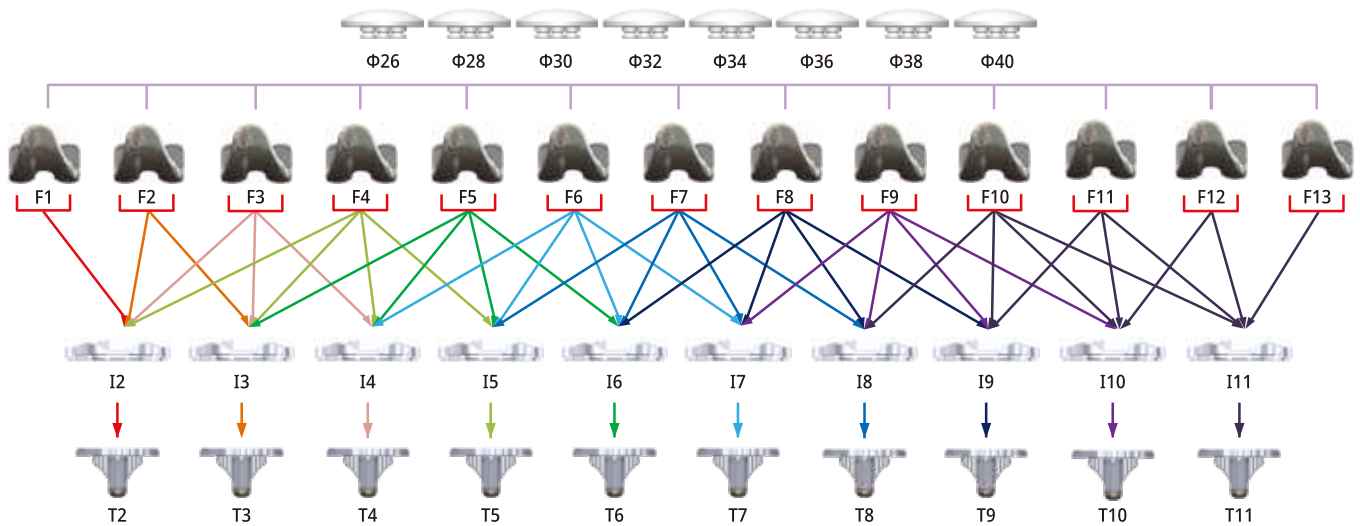


⌚ Cement pockets provide optimal condition for cemented fixation. Dome shape optimal for smooth patella tracking.

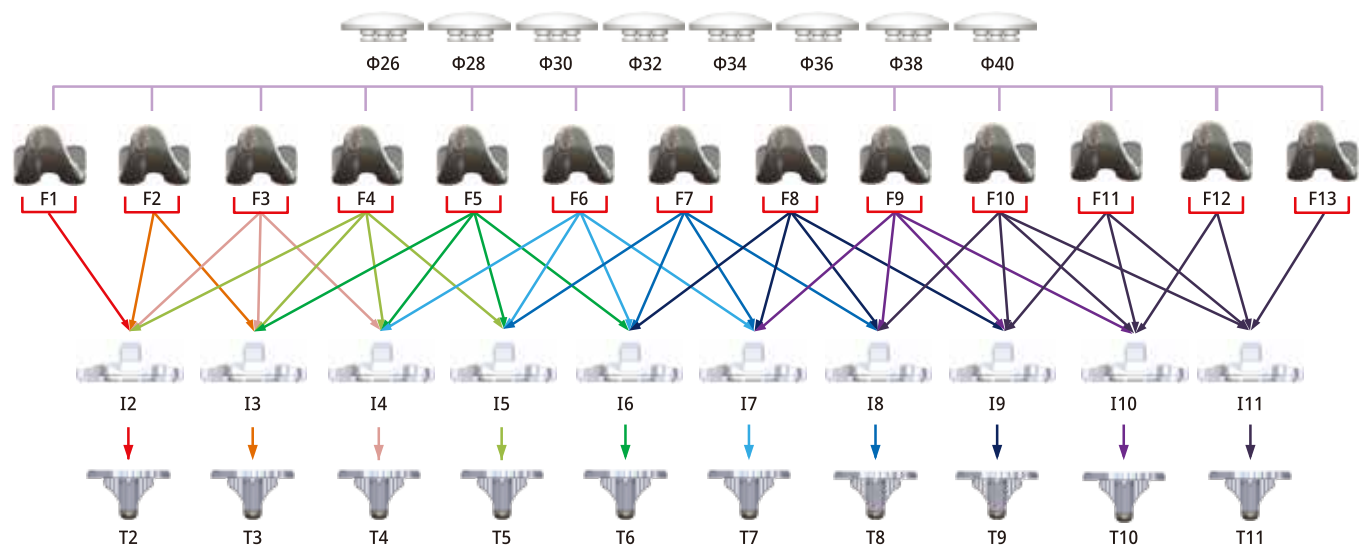
# Size Combination Chart

Tibial inserts		Femoral components												
		F1	F2	F3	F4	F5	F6	F7	F8	F9	F10	F11	F12	F13
		50/59	52/60	54/61	56/62	58/63.5	60/65	62/67	64/68.5	66/70	68/71.5	70/73	73/76	76/78
T2	36/57		●											
T3	38/60		●											
T4	40/63			●										
T5	42/66				●									
T6	44/69					●								
T7	45/72						●							
T8	47/75							●						
T9	50/79								●					
T10	53/83									●				
T11	57/86										●			

## Size Combination CR Type



## Size Combination PS Type



# Implant Ordering Information

## EXULT Femoral Component (CR)

Part No.		Size	AP/ML (mm)
Left	Right		
K3.FAL.5059	K3.FAR.5059	1	50/59
K3.FAL.5260	K3.FAR.5260	2	52/60
K3.FAL.5461	K3.FAR.5461	3	54/61
K3.FAL.5662	K3.FAR.5662	4	56/62
K3.FAL.5863	K3.FAR.5863	5	58/63.5
K3.FAL.6065	K3.FAR.6065	6	60/65
K3.FAL.6267	K3.FAR.6267	7	62/67
K3.FAL.6468	K3.FAR.6468	8	64/68.5
K3.FAL.6670	K3.FAR.6670	9	66/70
K3.FAL.6871	K3.FAR.6871	10	68/71.5
K3.FAL.7073	K3.FAR.7073	11	70/73
K3.FAL.7376	K3.FAR.7376	12	73/76
K3.FAL.7678	K3.FAR.7678	13	76/78

## EXULT Femoral Component (PS)

Part No.		Size	AP/ML (mm)
Left	Right		
K3.FBL.5059	K3.FBR.5059	1	50/59
K3.FBL.5260	K3.FBR.5260	2	52/60
K3.FBL.5461	K3.FBR.5461	3	54/61
K3.FBL.5662	K3.FBR.5662	4	56/62
K3.FBL.5863	K3.FBR.5863	5	58/63.5
K3.FBL.6065	K3.FBR.6065	6	60/65
K3.FBL.6267	K3.FBR.6267	7	62/67
K3.FBL.6468	K3.FBR.6468	8	64/68.5
K3.FBL.6670	K3.FBR.6670	9	66/70
K3.FBL.6871	K3.FBR.6871	10	68/71.5
K3.FBL.7073	K3.FBR.7073	11	70/73
K3.FBL.7376	K3.FBR.7376	12	73/76
K3.FBL.7678	K3.FBR.7678	13	76/78

## EXULT Tibial Baseplate (Stemmed)

Part No.	Size	L(mm)	AP/ML (mm)
K3.BFU.3657-ASM	2		
K3.BFU.3860-ASM	3	35	38/60
K3.BFU.4063-ASM	4	35	40/63
K3.BFU.4266-ASM	5	35	42/66
K3.BFU.4469-ASM	6	35	44/69
K3.BFU.4572-ASM	7	35	45/72
K3.BFU.4775-ASM	8	35	47/75
K3.BFU.5079-ASM	9	40	50/79
K3.BFU.5383-ASM	10	40	53/83
K3.BFU.5786-ASM	11	40	57/86

## EXULT Tibial Baseplate (Mono)

Part No.	Size	L(mm)	AP/ML (mm)
K3.BFN.3657	2		
K3.BFN.3860	3	35	38/60
K3.BFN.4063	4	35	40/63
K3.BFN.4266	5	35	42/66
K3.BFN.4469	6	35	44/69
K3.BFN.4572	7	35	45/72
K3.BFN.4775	8	35	47/75
K3.BFN.5079	9	40	50/79
K3.BFN.5383	10	40	53/83
K3.BFN.5786	11	40	57/86

## EXULT Patellar Component (Dome)

Part No.	Size (mm)	Thickness (T) (mm)
01.10.921	26 *	8
01.10.941	28	8
01.10.961	30 *	8
01.10.96A	30	8
01.10.981	32 *	8
01.10.98A	32	8
01.10.9A2	34 *	9
01.10.9AB	34	9
01.10.9C3	36 *	10
01.10.9CC	36 *	10

## Exult Tibial Insert XLPE [CR]

Part No.	Size	L(mm)	AP/ML (mm)
K3.IAX.3657-09T	9		
K3.IAX.3657-10T	10	36/57	10
K3.IAX.3657-11T	11	36/57	11
K3.IAX.3657-12T	12	36/57	12
K3.IAX.3657-13T	13	36/57	13
K3.IAX.3657-14T	14	36/57	14
K3.IAX.3657-16T	16	36/57	16
K3.IAX.3657-18T	18	36/57	18
K3.IAX.3657-20T	20	36/57	20
K3.IAX.3657-22T	22	36/57	22
K3.IAX.3657-24T	24	36/57	24
K3.IAX.3860-09T	9	38/60	9
K3.IAX.3860-10T	10	38/60	10
K3.IAX.3860-11T	11	38/60	11
K3.IAX.3860-12T	12	38/60	12
K3.IAX.3860-13T	13	38/60	13
K3.IAX.3860-14T	14	38/60	14
K3.IAX.3860-16T	16	38/60	16
K3.IAX.3860-18T	18	38/60	18
K3.IAX.3860-20T	20	38/60	20
K3.IAX.3860-22T	22	38/60	22
K3.IAX.3860-24T	24	38/60	24
K3.IAX.4063-09T	9	40/63	9
K3.IAX.4063-10T	10	40/63	10
K3.IAX.4063-11T	11	40/63	11
K3.IAX.4063-12T	12	40/63	12
K3.IAX.4063-13T	13	40/63	13
K3.IAX.4063-14T	14	40/63	14
K3.IAX.4063-16T	16	40/63	16
K3.IAX.4063-18T	18	40/63	18
K3.IAX.4063-20T	20	40/63	20
K3.IAX.4063-22T	22	40/63	22
K3.IAX.4063-24T	24	40/63	24
K3.IAX.4266-09T	9	42/66	9
K3.IAX.4266-10T	10	42/66	10
K3.IAX.4266-11T	11	42/66	11
K3.IAX.4266-12T	12	42/66	12
K3.IAX.4266-13T	13	42/66	13
K3.IAX.4266-14T	14	42/66	14
K3.IAX.4266-16T	16	42/66	16
K3.IAX.4266-18T	18	42/66	18
K3.IAX.4266-20T	20	42/66	20
K3.IAX.4266-22T	22	42/66	22
K3.IAX.4266-24T	24	42/66	24
K3.IAX.4469-09T	9	44/69	9
K3.IAX.4469-10T	10	44/69	10
K3.IAX.4469-11T	11	44/69	11
K3.IAX.4469-12T	12	44/69	12
K3.IAX.4469-13T	13	44/69	13
K3.IAX.4469-14T	14	44/69	14
K3.IAX.4469-16T	16	44/69	16
K3.IAX.4469-18T	18	44/69	18
K3.IAX.4469-20T	20	44/69	20
K3.IAX.4469-22T	22	44/69	22
K3.IAX.4469-24T	24	44/69	24

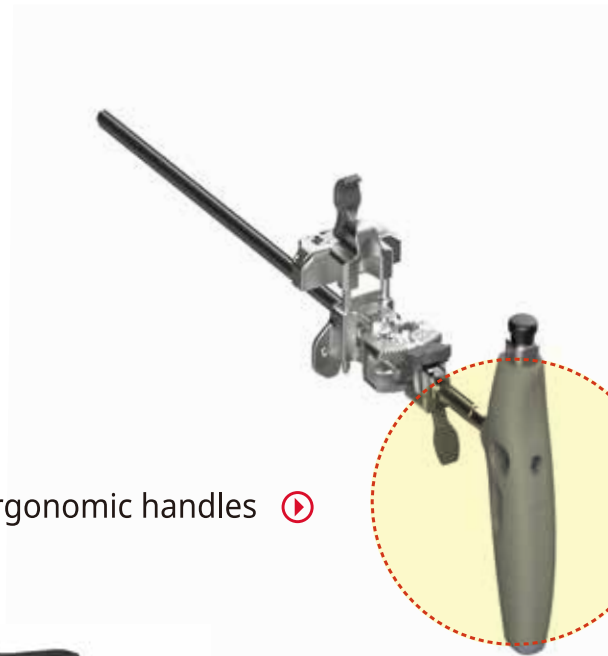
Part No.	Size	L(mm)	AP/ML (mm)
K3.IAX.4572-09T	9		
K3.IAX.4572-10T	10	45/72	10
K3.IAX.4572-11T	11	45/72	11
K3.IAX.4572-12T	12	45/72	12
K3.IAX.4572-13T	13	45/72	13
K3.IAX.4572-14T	14	45/72	14
K3.IAX.4572-16T	16	45/72	16
K3.IAX.4572-18T	18	45/72	18
K3.IAX.4572-20T	20	45/72	20
K3.IAX.4572-22T	22	45/72	22
K3.IAX.4572-24T	24	45/72	24
K3.IAX.4775-09T	9	47/75	9
K3.IAX.4775-10T	10	47/75	10
K3.IAX.4775-11T	11	47/75	11
K3.IAX.4775-12T	12	47/75	12
K3.IAX.4775-13T	13	47/75	13
K3.IAX.4775-14T	14	47/75	14
K3.IAX.4775-16T	16	47/75	16
K3.IAX.4775-18T	18	47/75	18
K3.IAX.4775-20T	20	47/75	20
K3.IAX.4775-22T	22	47/75	22
K3.IAX.4775-24T	24	47/75	24
K3.IAX.5079-09T	9	50/79	9
K3.IAX.5079-10T	10	50/79	10
K3.IAX.5079-11T	11	50/79	11
K3.IAX.5079-12T	12	50/79	12
K3.IAX.5079-13T	13	50/79	13
K3.IAX.5079-14T	14	50/79	14
K3.IAX.5079-16T	16	50/79	16
K3.IAX.5079-18T	18	50/79	18
K3.IAX.5079-20T	20	50/79	20
K3.IAX.5079-22T	22	50/79	22
K3.IAX.5079-24T	24	50/79	24
K3.IAX.5383-09T	9	53/83	9
K3.IAX.5383-10T	10	53/83	10
K3.IAX.5383-11T	11	53/83	11
K3.IAX.5383-12T	12	53/83	12
K3.IAX.5383-13T	13	53/83	13
K3.IAX.5383-14T	14	53/83	14
K3.IAX.5383-16T	16	53/83	16
K3.IAX.5383-18T	18	53/83	18
K3.IAX.5383-20T	20	53/83	20
K3.IAX.5383-22T	22	53/83	22
K3.IAX.5383-24T	24	53/83	24
K3.IAX.5786-09T	9	57/86	9
K3.IAX.5786-10T	10	57/86	10
K3.IAX.5786-11T	11	57/86	11
K3.IAX.5786-12T	12	57/86	12
K3.IAX.5786-13T	13	57/86	13
K3.IAX.5786-14T	14	57/86	14
K3.IAX.5786-16T	16	57/86	16
K3.IAX.5786-18T	18	57/86	18
K3.IAX.5786-20T	20	57/86	20
K3.IAX.5786-22T	22	57/86	22
K3.IAX.5786-24T	24	57/86	24

## Exult Tibial Insert XLPE [PS]

Part No.	Size	L(mm)	AP/ML (mm)
K3.IBX.3657-09T	9		
K3.IBX.3657-10T	10	36/57	10
K3.IBX.3657-11T	11	36/57	11
K3.IBX.3657-12T	12	36/57	12
K3.IBX.3657-13T	13	36/57	13
K3.IBX.3657-14T	14	36/57	14
K3.IBX.3657-16T	16	36/57	16
K3.IBX.3657-18T	18	36/57	18
K3.IBX.3657-20T	20	36/57	20
K3.IBX.3657-22T	22	36/57	22
K3.IBX.3657-24T	24	36/57	24
K3.IBX.3860-09T	9	38/60	9
K3.IBX.3860-10T	10	38/60	10
K3.IBX.3860-11T	11	38/60	11
K3.IBX.3860-12T	12	38/60	12
K3.IBX.3860-13T	13	38/60	13
K3.IBX.3860-14T	14	38/60	14
K3.IBX.3860-16T	16	38/60	16
K3.IBX.3860-18T	18	38/60	18
K3.IBX.3860-20T	20	38/60	20
K3.IBX.3860-22T	22	38/60	22
K3.IBX.3860-24T	24	38/60	24
K3.IBX.4063-09T	9	40/63	9
K3.IBX.4063-10T	10	40/63	10
K3.IBX.4063-11T	11	40/63	11
K3.IBX.4063-12T	12	40/63	12
K3.IBX.4063-13T	13	40/63	13
K3.IBX.4063-14T	14	40/63	14
K3.IBX.4063-16T	16	40/63	16
K3.IBX.4063-18T	18	40/63	18
K3.IBX.4063-20T	20	40/63	20
K3.IBX.4063-22T	22	40/63	22
K3.IBX.4063-24T	24	40/63	24
K3.IBX.4266-09T	9	42/66	9
K3.IBX.4266-10T	10	42/66	10
K3.IBX.4266-11T	11	42/66	11
K3.IBX.4266-12T	12	42/66	12
K3.IBX.4266-13T	13	42/66	13
K3.IBX.4266-14T	14	42/66	14
K3.IBX.4266-16T	16	42/66	16
K3.IBX.4266-18T	18	42/66	18
K3.IBX.4266-20T	20	42/66	20
K3.IBX.4266-22T	22	42/66	22
K3.IBX.4266-24T	24	42/66	24
K3.IBX.4469-09T	9	44/69	9
K3.IBX.4469-10T	10	44/69	10
K3.IBX.4469-11T	11	44/69	11
K3.IBX.4469-12T	12	44/69	12
K3.IBX.4469-13T	13	44/69	13
K3.IBX.4469-14T	14	44/69	14
K3.IBX.4469-16T	16	44/69	16
K3.IBX.4469-18T	18	44/69	18
K3.IBX.4469-20T	20	44/69	20
K3.IBX.4469-22T	22	44/69	22
K3.IBX.4469-24T	24	44/69	24

Part No.	Size	L(mm)	AP/ML (mm)
K3.IBX.4572-09T	9		
K3.IBX.4572-10T	10	45/72	10
K3.IBX.4572-11T	11	45/72	11
K3.IBX.4572-12T	12	45/72	12
K3.IBX.4572-13T	13	45/72	13
K3.IBX.4572-14T	14	45/72	14
K3.IBX.4572-16T	16	45/72	16
K3.IBX.4572-18T	18	45/72	18
K3.IBX.4572-20T	20	45/72	20
K3.IBX.4572-22T	22	45/72	22
K3.IBX.4572-24T	24	45/72	24
K3.IBX.4775-09T	9	47/75	9
K3.IBX.4775-10T	10	47/75	10
K3.IBX.4775-11T	11	47/75	11
K3.IBX.4775-12T	12	47/75	12
K3.IBX.4775-13T	13	47/75	13
K3.IBX.4775-14T	14	47/75	14
K3.IBX.4775-16T	16	47/75	16
K3.IBX.4775-18T	18	47/75	18
K3.IBX.4775-20T	20	47/75	20
K3.IBX.4775-22T	22	47/75	22
K3.IBX.4775-24T	24	47/75	24
K3.IBX.5079-09T	9	50/79	9
K3.IBX.5079-10T	10	50/79	10
K3			

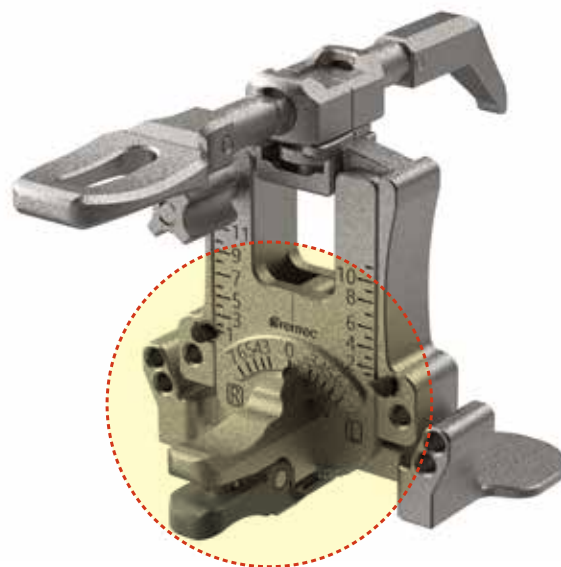
# Exult instruments



Ergonomic handles 



 Quick release mechanisms



 Fine tune adjustments

30% volume reduction\* of Instrument Trays.

\*Compared to Lospa Knee



**Manufacturing Plant** 12, Yeongsanhong 1-gil, Ipjang-myeon, Seobuk-gu, Cheonan-si, Chungcheongnam-do, Korea | TEL 82-41-585-7114 | FAX 82-41-585-7113

**Seoul Office** 33-2, Banpo-daero 20-gil, Seocho-gu, Seoul, Republic of Korea | TEL 82-2-3445-5492~5 | FAX 82-2-3445-5467,5497

**Corentec America** 60 Washington St #202, Morristown, NJ 07960, United States | TEL 1-862-777-8302 | FAX 1-862-777-8319

**EC Representative : Emergo Europe** Prinsessegracht 20, 2514AP, The Hague, The Netherlands | TEL 31-70-345-8570 | FAX 31-70-346-7299

[www.corentec.com](http://www.corentec.com)

Distributor
-------------